

INSTRUCTION MANUAL FOR ASSEMBLING LAPTOP STAND

This Laptop Stand can be assembled for two main applications

- **LAPTOP BED STAND**
- **LAPTOP DESK STAND**

In both these cases the only change is one set of the legs of the Frame (Rear Legs or Back Legs).

If you require Laptop BED Stand use “R” REAR LEG

If you require Laptop DESK Stand use “DR” REAR LEG WHICH ARE SMALLER

In the next page of the manual we have listed the contents that will come to you inside the Box. The subsequent pages, we have given a description of how to assemble the Laptop Bed Stand. If you require the Laptop stand to be used for the Desk then just use the smaller REAR Legs (DR) instead of the Bigger Rear Legs (R) and you can get the required LAPTOP DESK STAND.

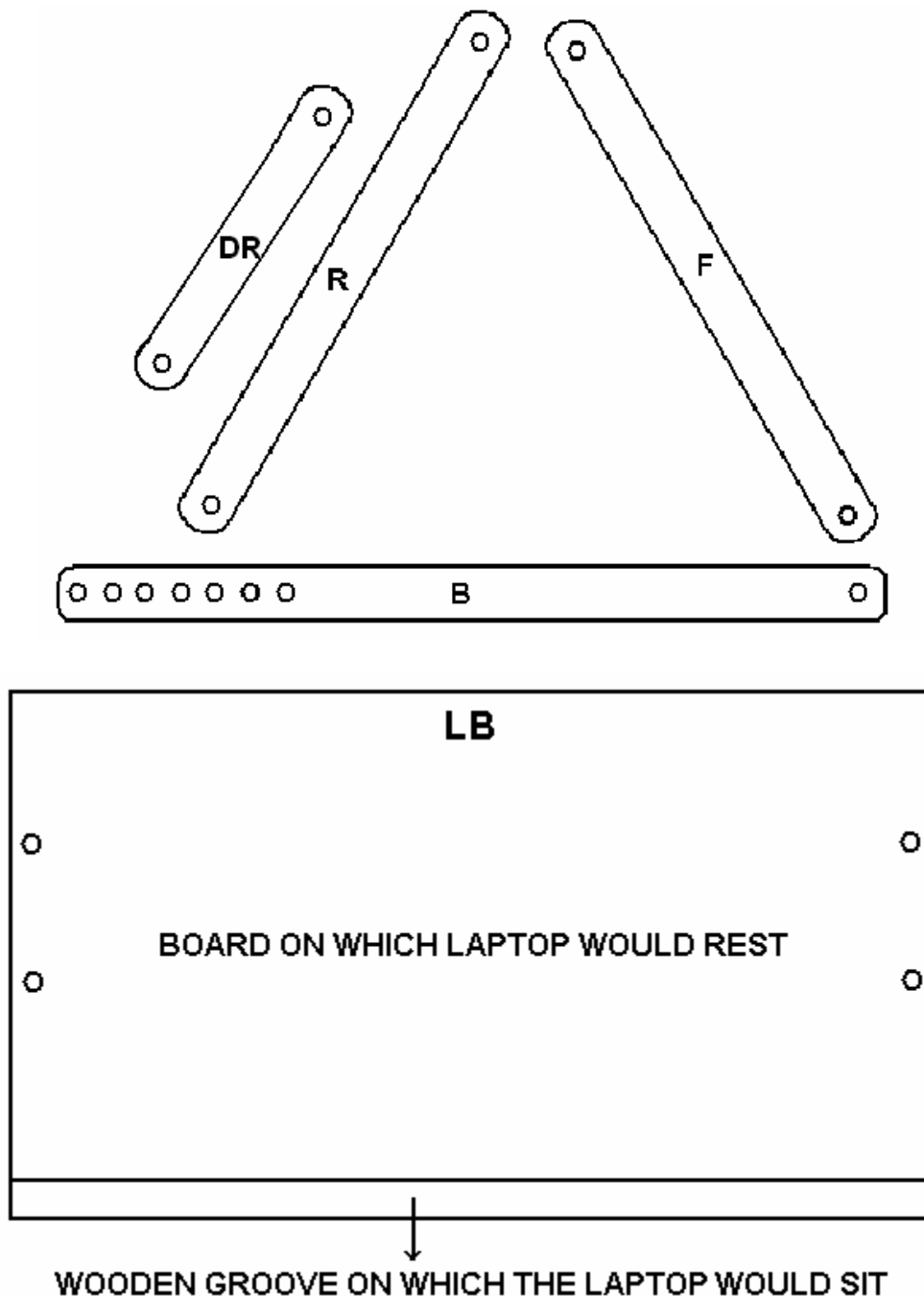
For any questions, email us at info@ihprods.com

CONTENTS OF THE BOX

THIS BOX CONTAINS THE FOLLOWING PARTS:

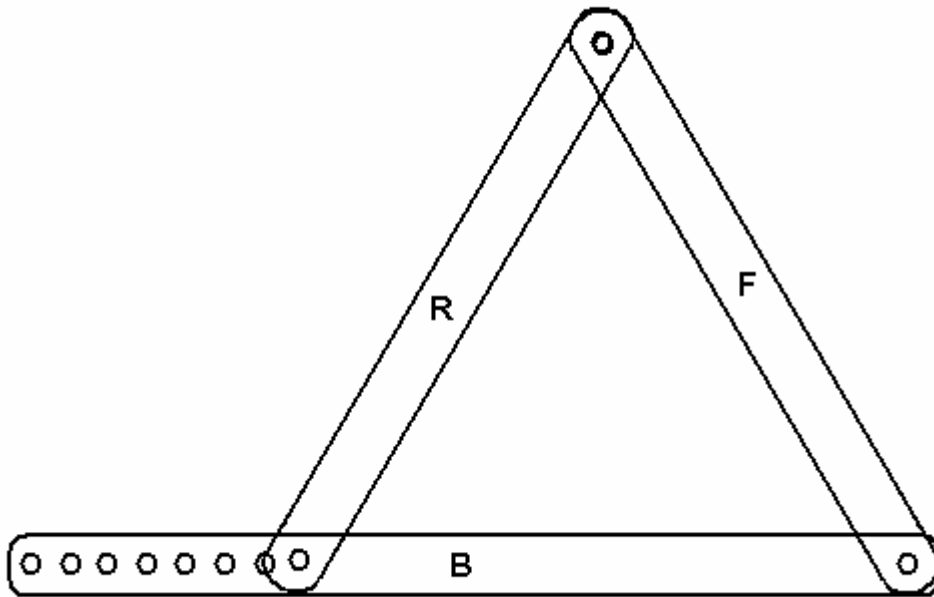
- B – BASE LEG (QTY: 2 NOS)
- F – FRONT LEG ON WHICH THE LAPTOP BOARD IS FIXED (QTY: 2 NOS)
- R – REAR LEG FOR BED STAND APPLICATION WHICH CAN BE FIXED AS PER REQUIRED ANGLE OF INCLINATION (QTY: 2 NOS)
- DR - REAR LEG FOR DESK STAND APPLICATION WHICH CAN BE FIXED AS PER REQUIRED ANGLE OF INCLINATION (QTY: 2 NOS)
- LB – BOARD ON WHICH THE LAPTOP WOULD REST; THIS BOARD HAS A WOODEN GROOVE AT THE BOTTOM ON WHICH THE LAPTOP CAN SIT (QTY: 1 NO)
- BOLT & NUT SETS (QTY: 10 SETS)

THE “LAPTOP BED STAND” SHOULD BE ASSEMBLED WITH THESE ABOVE-MENTIONED PARTS AS PER THE INSTRUCTIONS IN THE NEXT TWO PAGES (pages 2 & 3).

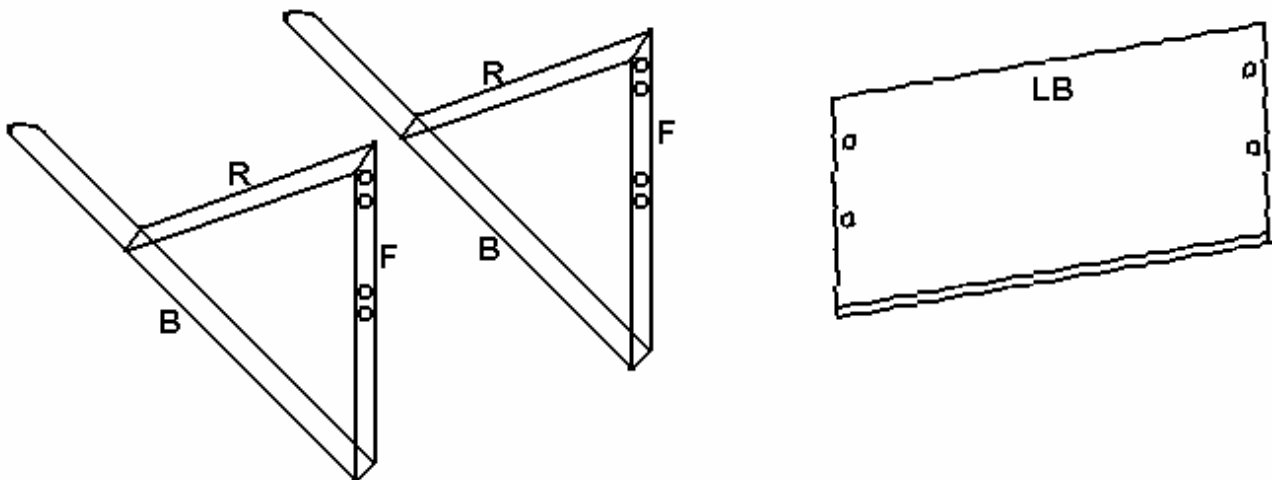


STEPS FOR ASSEMBLING THE "LAPTOP BED STAND"

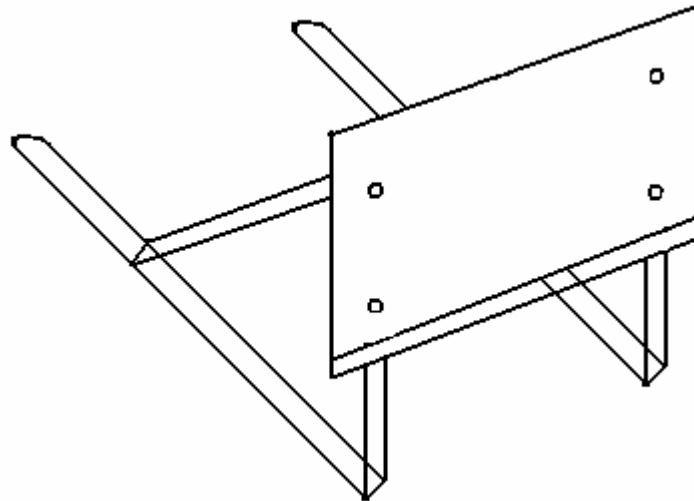
1. WE NEED TO FIRST MAKE TWO TRIANGULAR FRAMES AS SHOWN IN THE PICTURE BELOW BY FIXING THE TWO SETS OF FRONT LEG "F", REAR LEG "R" AND BASE LEG "B" USING 6 SETS OF THE BOLT AND NUT. THUS WE OBTAIN THE TWO TRIANGULAR FRAMES. DO MAKE SURE THAT 'R' & 'F' ARE ON ONE SIDE OF 'B' AND THE NUTS ARE ON THE OTHER SIDE OF 'B'. THE REAR LEG "R" CAN BE FIXED TO ANY ONE OF THE MANY HOLES ON THE BASE LEG "B" SO AS TO GET THE DESIRED INCLINATION OF THE FRONT LEG "F".



2. THE ABOVE PICTURE GIVES THE SIDE VIEW OF THE TRIANGULAR FRAME. PLACE THE TWO TRIANGULAR FRAMES WITH THE FRONT LEGS 'F' FACING TOWARDS YOU. ON BOTH THE FRONT LEGS 'F', THERE ARE HOLES ON WHICH YOU NEED TO FIX THE BOARD 'LB' USING 4 SETS OF NUT AND BOLT. YOU CAN ADJUST THE HEIGHT OF THE BOARD AS PER YOUR REQUIREMENT USING THE APPROPRIATE HOLES ON THE LEGS 'F'. THE BELOW PICTURE SHOWS THE TWO FRAMES AND THE LAPTOP BOARD.



3. AFTER FIXING THE RECTANGULAR BOARD 'LB' ON THE TWO TRIANGULAR FRAMES, THE STAND IS READY AND WOULD LOOK LIKE IN THE PICTURE BELOW. THERE ARE TWO ACTUAL PHOTOS OF THE LAPTOP BED STAND PRINTED IN THE NEXT PAGE JUST TO GIVE YOU AN IDEA OF HOW IT LOOKS.



FRONT VIEW OF THE ACTUAL BED STAND



REAR VIEW OF THE ACTUAL BED STAND



SIDE VIEW OF THE ACTUAL DESK STAND